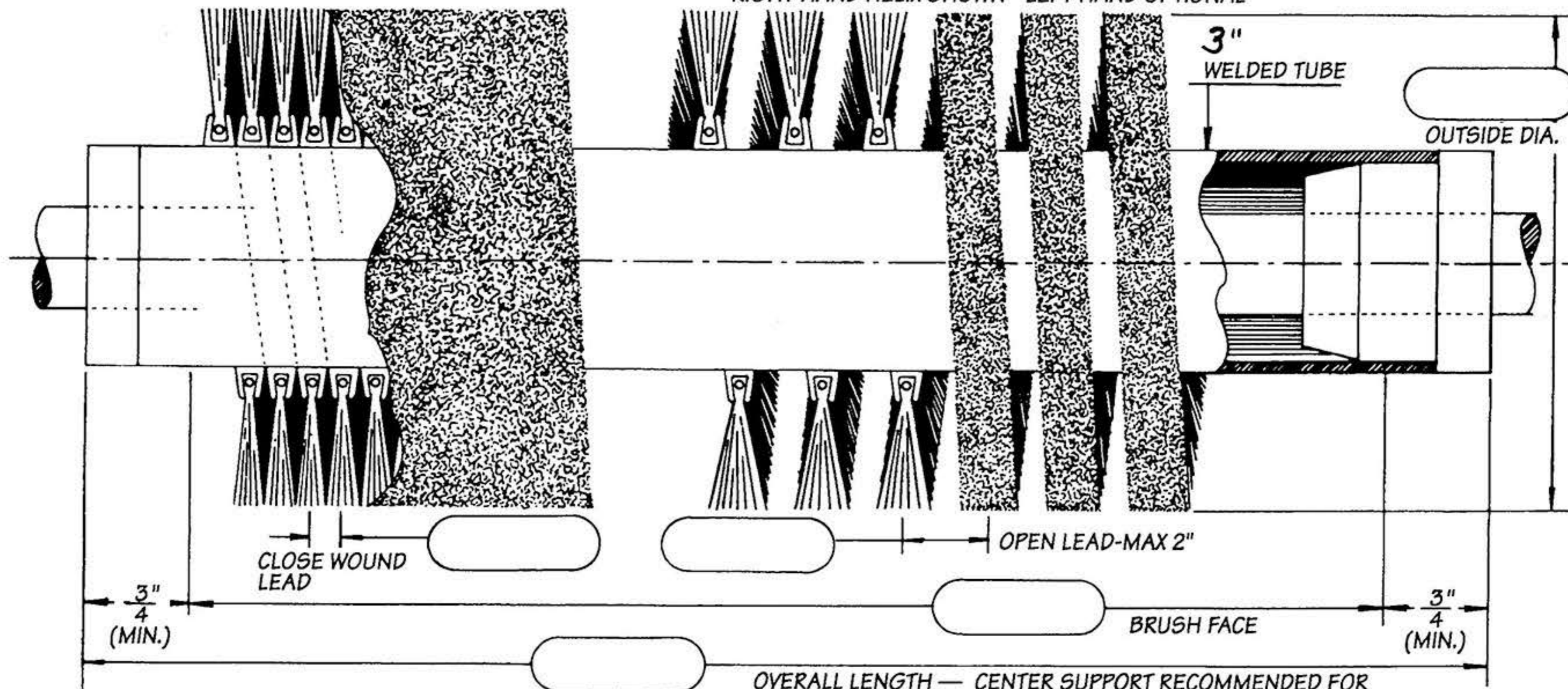
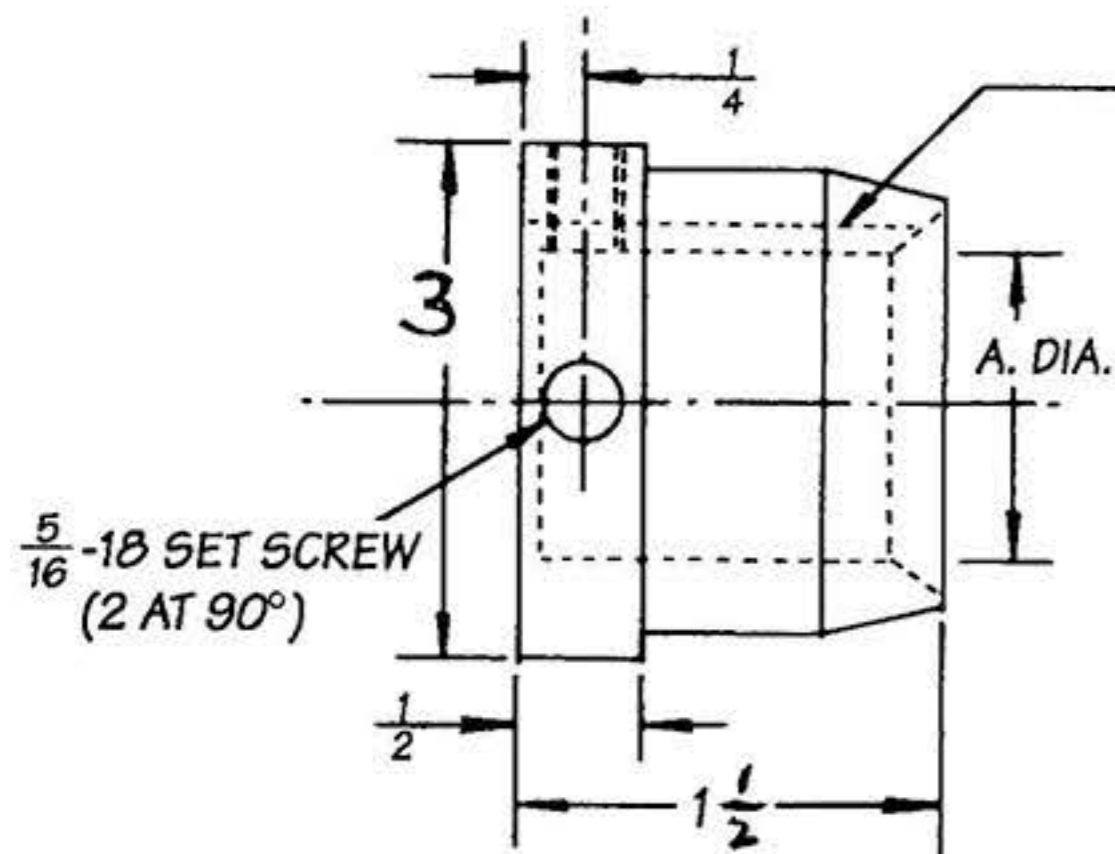


RIGHT HAND HELIX SHOWN - LEFT HAND OPTIONAL

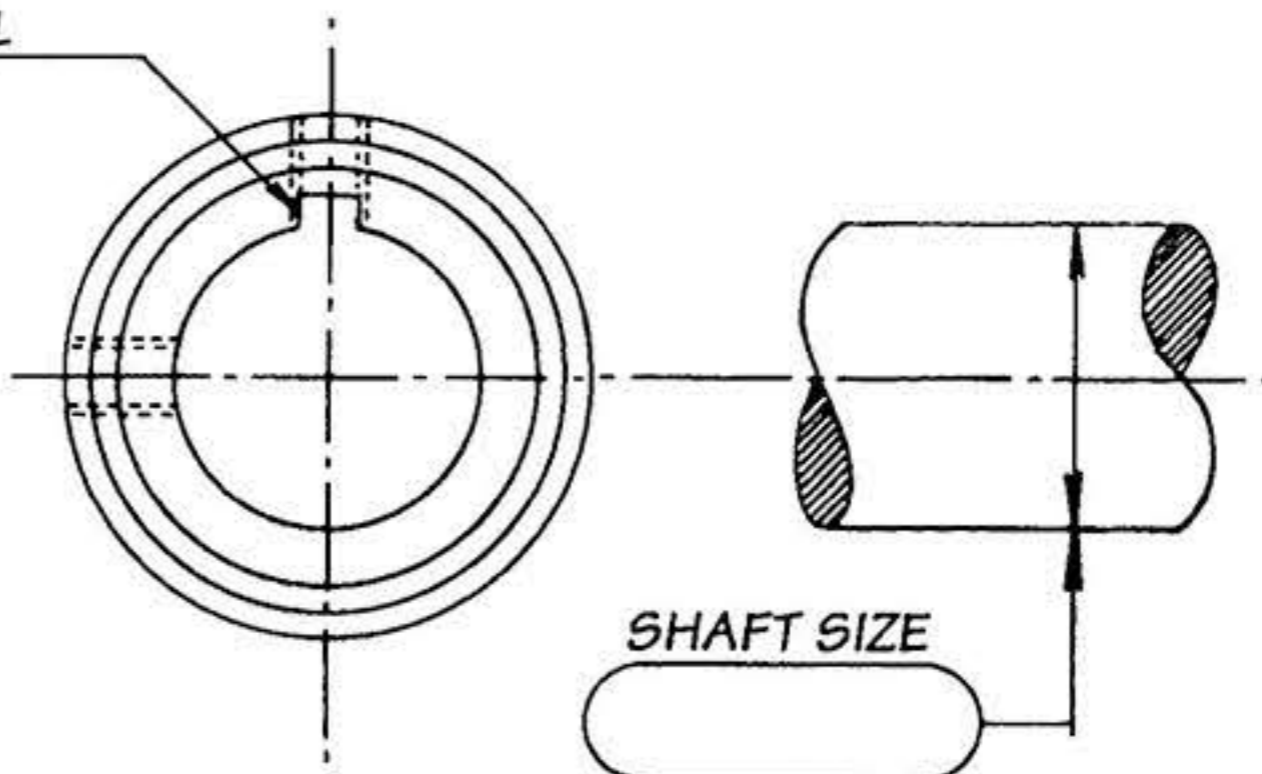


OVERALL LENGTH — CENTER SUPPORT RECOMMENDED FOR LENGTHS IN EXCESS OF 69."



ADAPTOR DETAIL

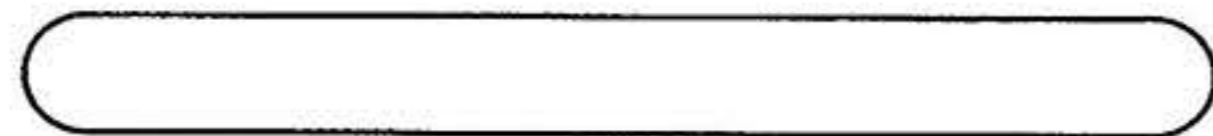
STD. KEYWAY OPTIONAL



SHAFT SIZE

KEYWAY SIZE (OPTIONAL)

BRUSH FILLER MATERIAL



800-968-9600  
 FAX 419-382-0756  
 www.powerbrushes.com



**POWER BRUSHES, INC.**  
 ENGINEERED BRUSHES FOR INDUSTRY  
 756 SOUTH BYRNE RD. TOLEDO, OHIO 43609-1089