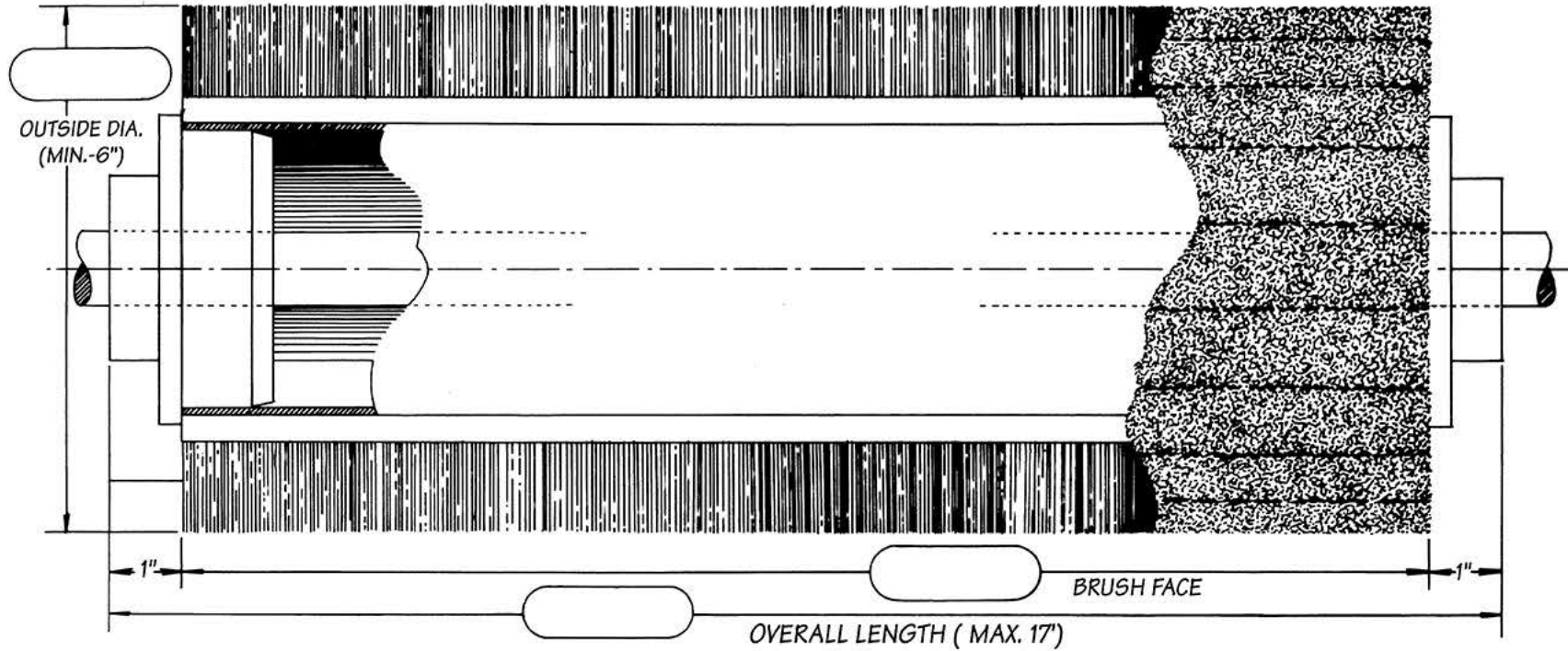
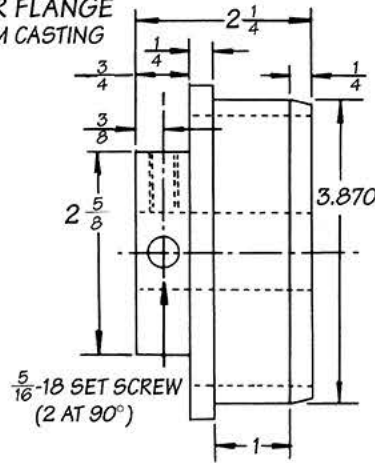


SERIES #3870 ALUMINUM EXTRUSION BRUSH

10 ROW OPEN DENSITY OR
20 ROW FULL DENSITY

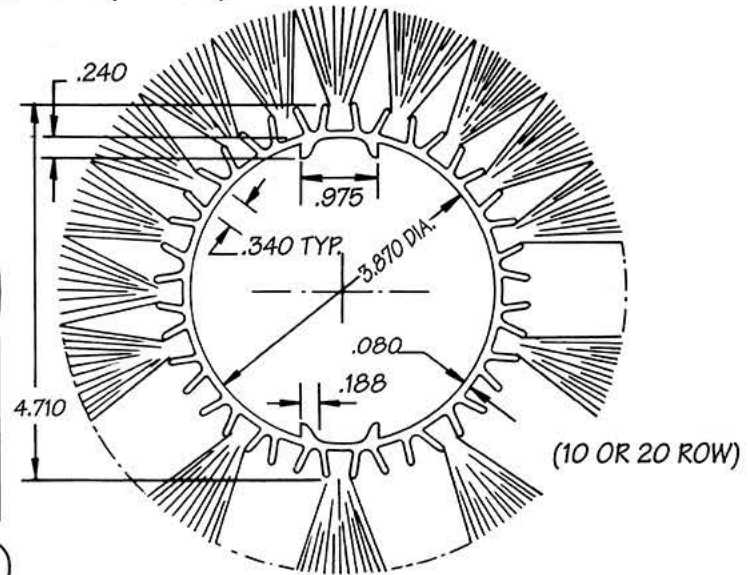
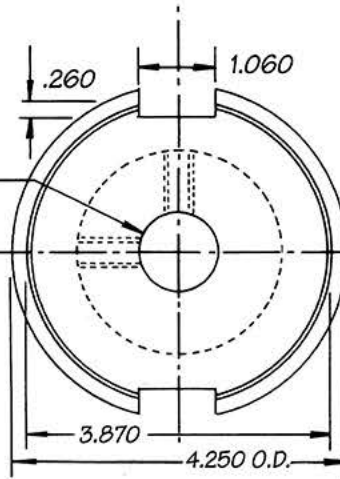


ADAPTOR FLANGE
ALUMINUM CASTING



STD. BORE
1.250
1.000

OTHER BORE
SIZES & STD.
KEYWAY
AVAILABLE



ADAPTOR BORE SIZE

KEYWAY SIZE (OPTIONAL)

BRUSH FILLER
MATERIAL

800-968-9600
FAX 419-382-0756
www.powerbrushes.com



POWER BRUSHES, INC.
ENGINEERED BRUSHES FOR INDUSTRY
756 SOUTH BYRNE RD. TOLEDO, OHIO 43609-1089