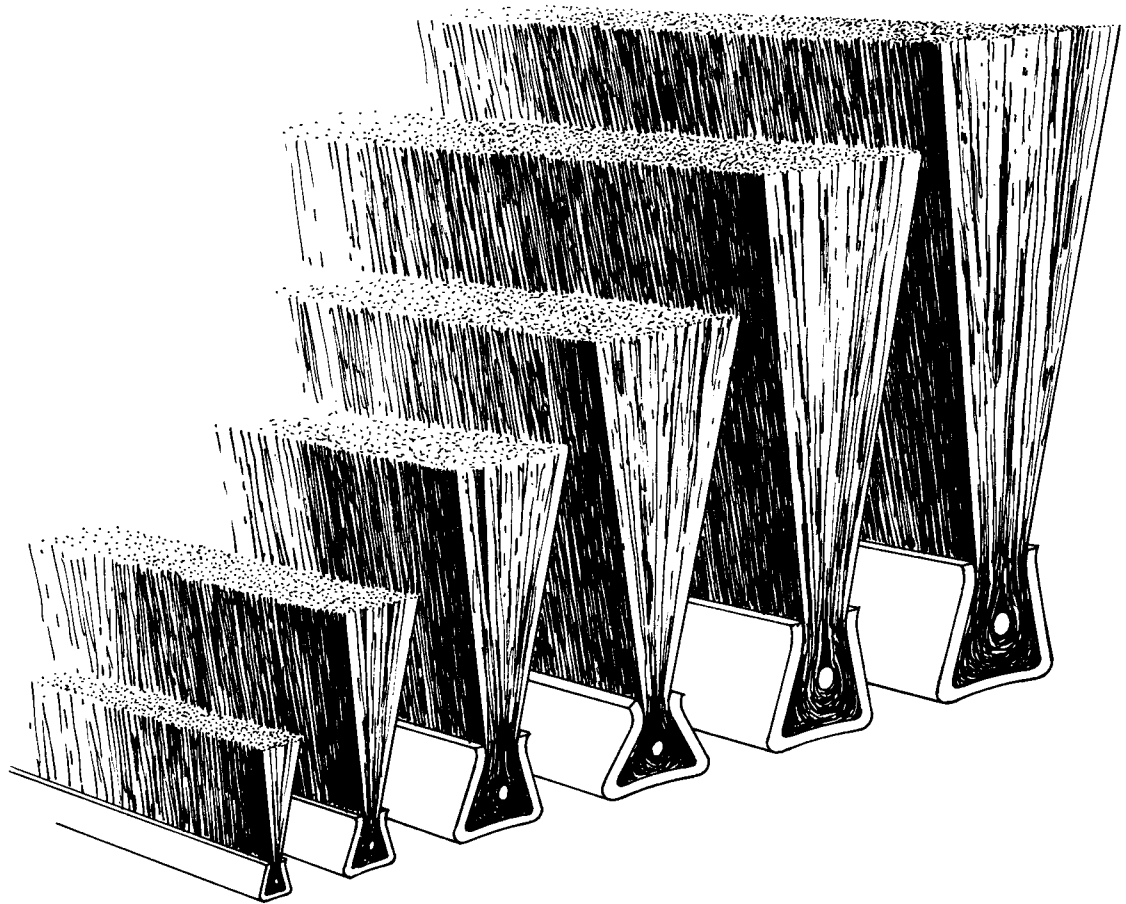


### **Metal Back Strip Brushes**

- Seven different sizes
- Easily formed into many shapes
- Brush filler material securely anchored around a retaining wire
- Readily assembled or attached
- Produced continuously to any length
- Wide range of densities
- Metal backing available:  
Electro-Galvanized steel (standard) • Aluminum • Brass • Stainless steel
- Brush filler materials:  
Synthetics, .006" to .060" diameters (crimped or level) • Natural fibers • Animal hair • Special mixtures • Wire: .005" to .012" diameter (crimped)

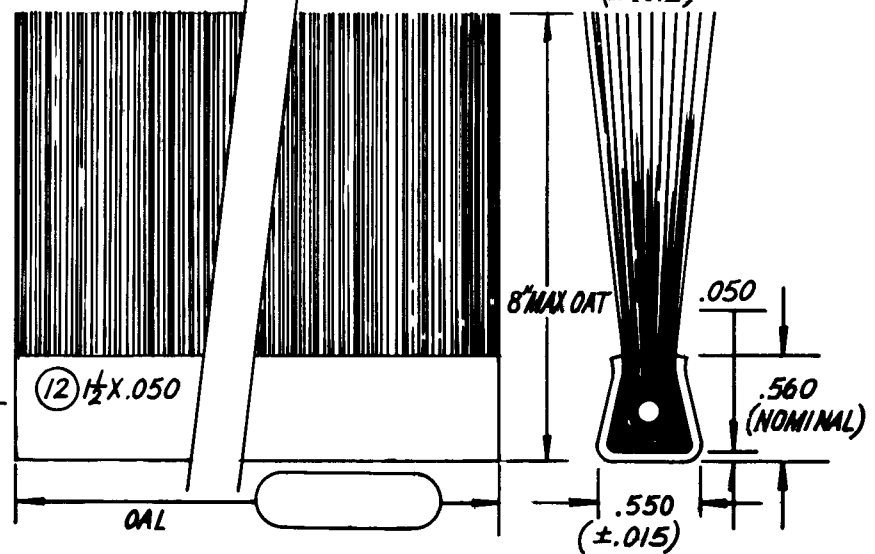
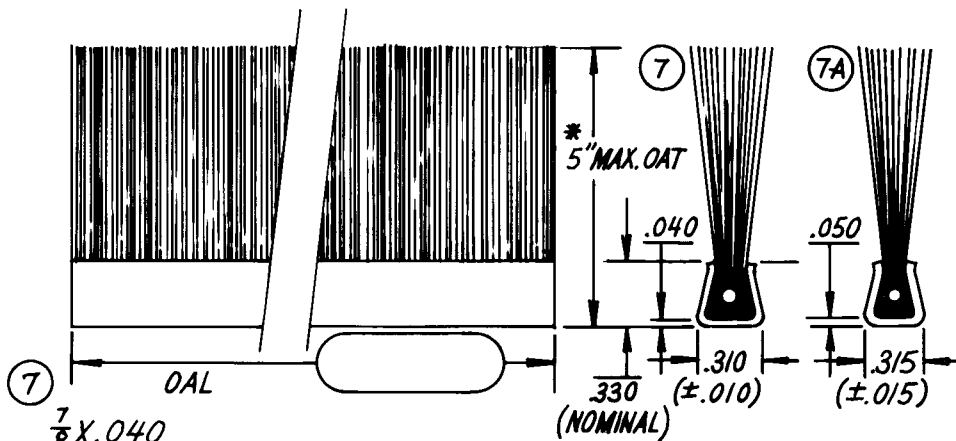
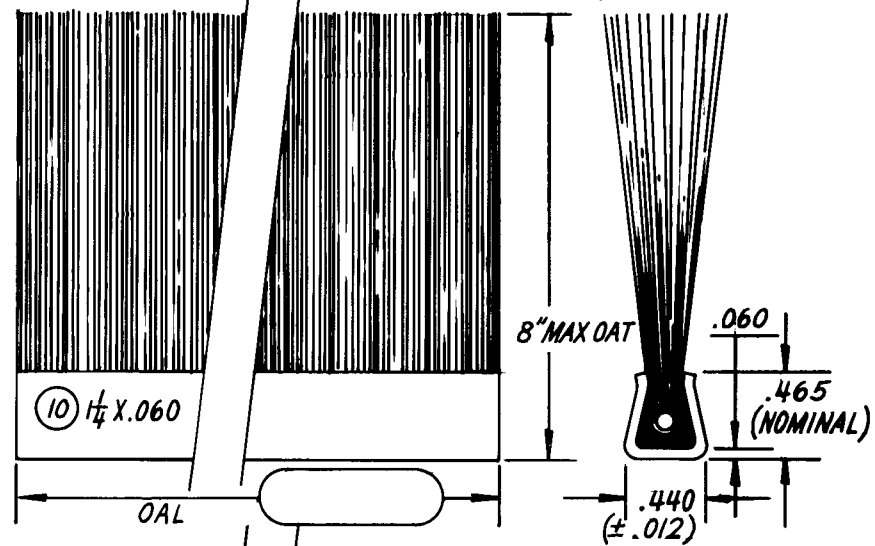
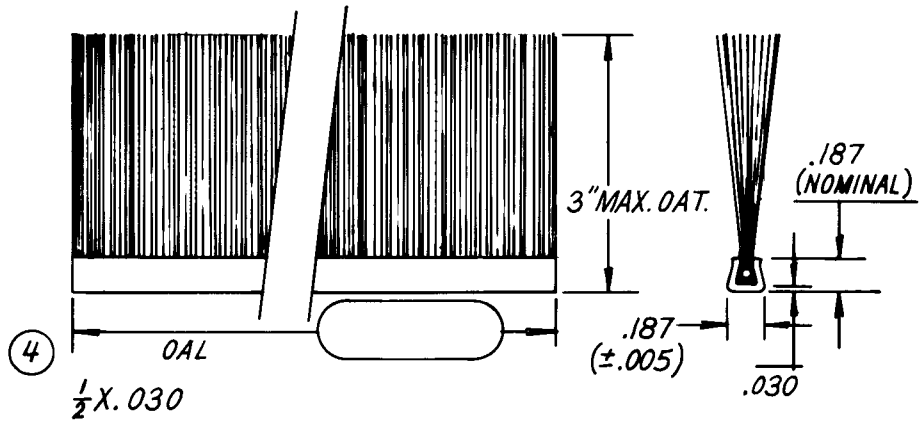
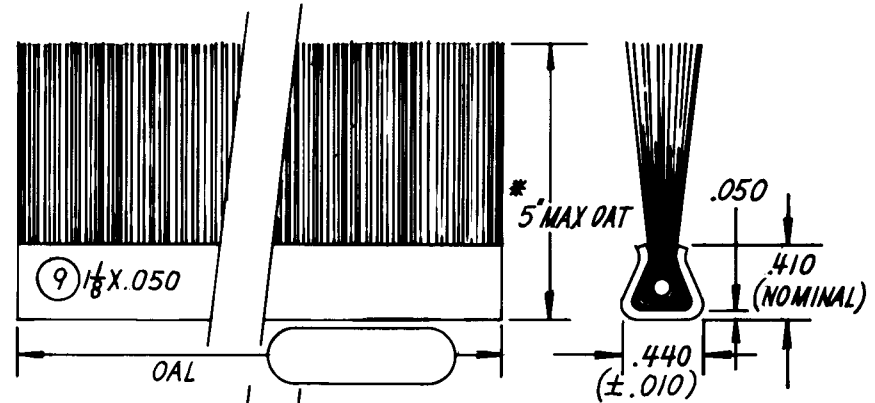
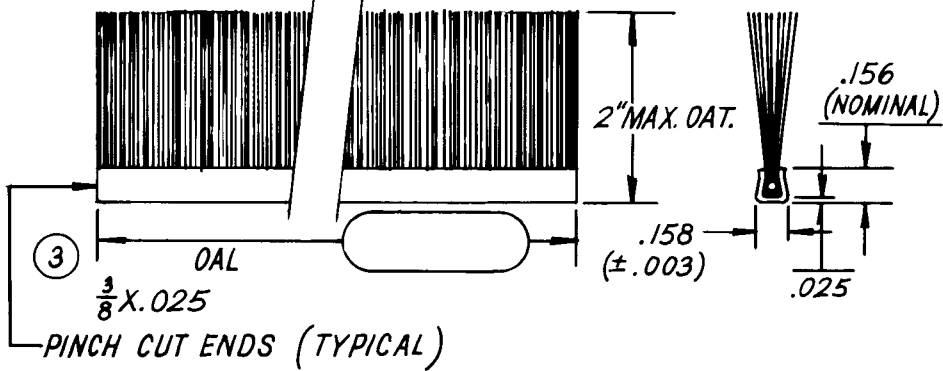


### **POWER BRUSHES, INC.**

ENGINEERED BRUSHES FOR INDUSTRY  
756 SOUTH BYRNE RD.  
TOLEDO, OHIO 43609  
(419) 385-5725

OAL... OVERALL LENGTH

OAT... OVERALL TRIM



\*...⑦, ⑦-A & ⑨-MAX. OAT. UP TO 8" IS AVAILABLE  
 ... RETAINING CENTER WIRES (ELECTROGALVANIZED) - TYPICAL