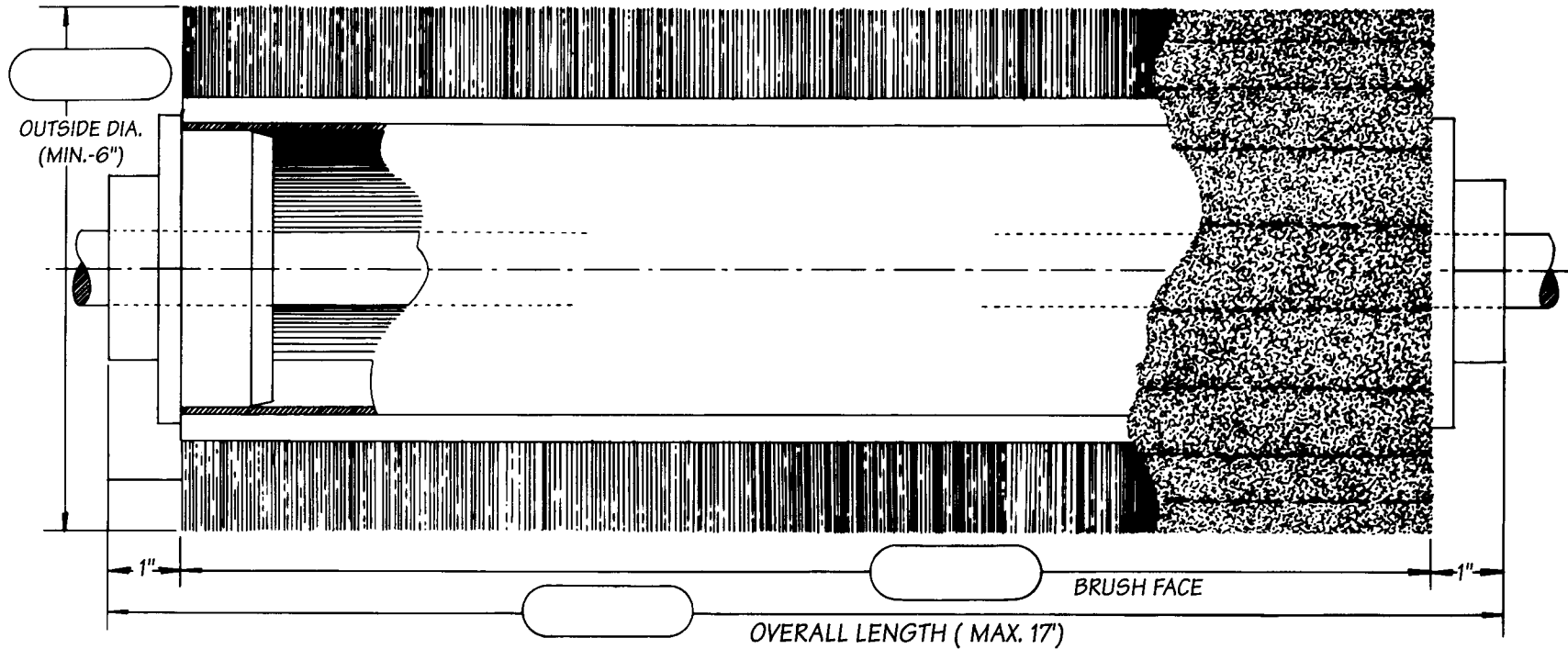
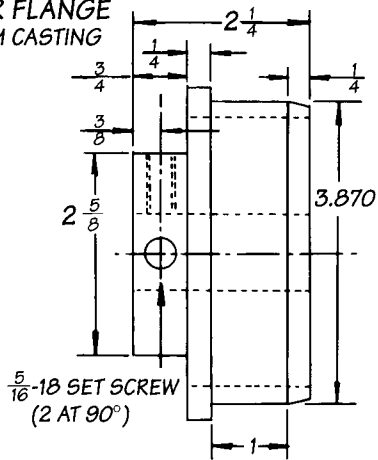


SERIES #3870 ALUMINUM EXTRUSION BRUSH

10 ROW OPEN DENSITY OR
20 ROW FULL DENSITY

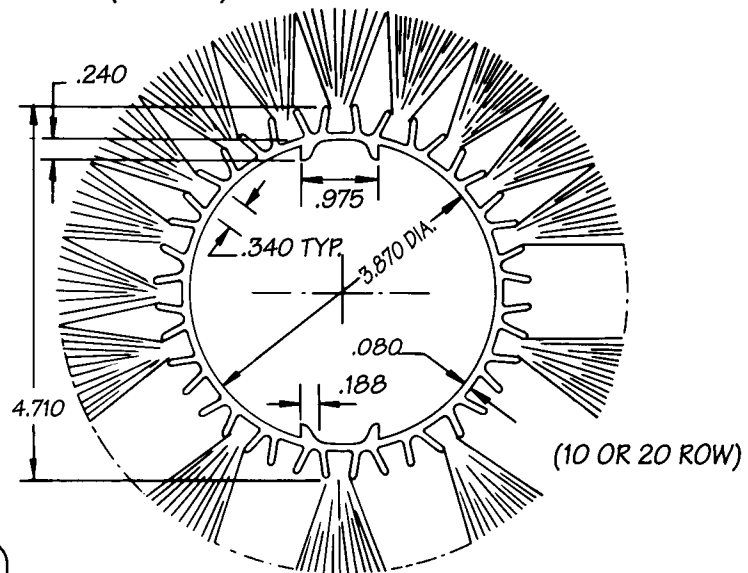
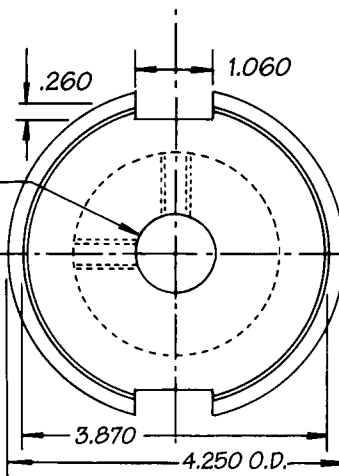


ADAPTOR FLANGE
ALUMINUM CASTING



STD. BORE
1.250
1.000

OTHER BORE
SIZES & STD.
KEYWAY
AVAILABLE



ADAPTOR BORE SIZE

KEYWAY SIZE (OPTIONAL)

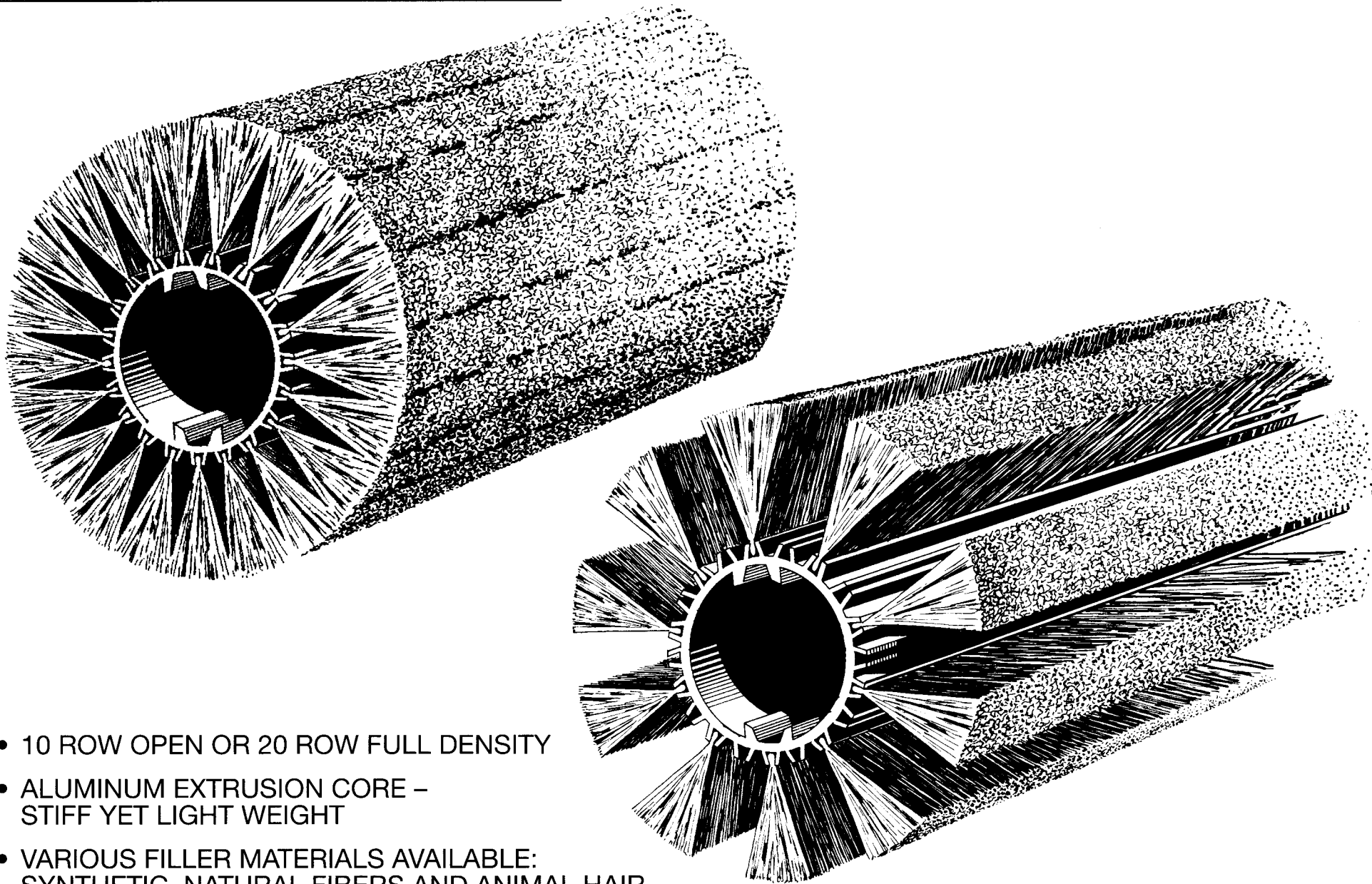
BRUSH FILLER
MATERIAL

800-968-9600
FAX 419-382-0756
www.powerbrushes.com



POWER BRUSHES, INC.
ENGINEERED BRUSHES FOR INDUSTRY
756 SOUTH BYRNE RD. TOLEDO, OHIO 43609-1089

SERIES #3870 ALUMINUM EXTRUSION BRUSH



- 10 ROW OPEN OR 20 ROW FULL DENSITY
- ALUMINUM EXTRUSION CORE – STIFF YET LIGHT WEIGHT
- VARIOUS FILLER MATERIALS AVAILABLE: SYNTHETIC, NATURAL FIBERS AND ANIMAL HAIR
- ASSEMBLED FROM STOCK COMPONENTS FOR ECONOMY AND PROMPT DELIVERY
- COMPLETELY DISPOSABLE



POWER BRUSHES, INC.

ENGINEERED BRUSHES FOR INDUSTRY
756 SOUTH BYRNE RD. TOLEDO, OHIO 43609-1089

800-968-9600 • 419-385-5725 • FAX 419-382-0756
e-mail: sales@powerbrushes.com www.powerbrushes.com