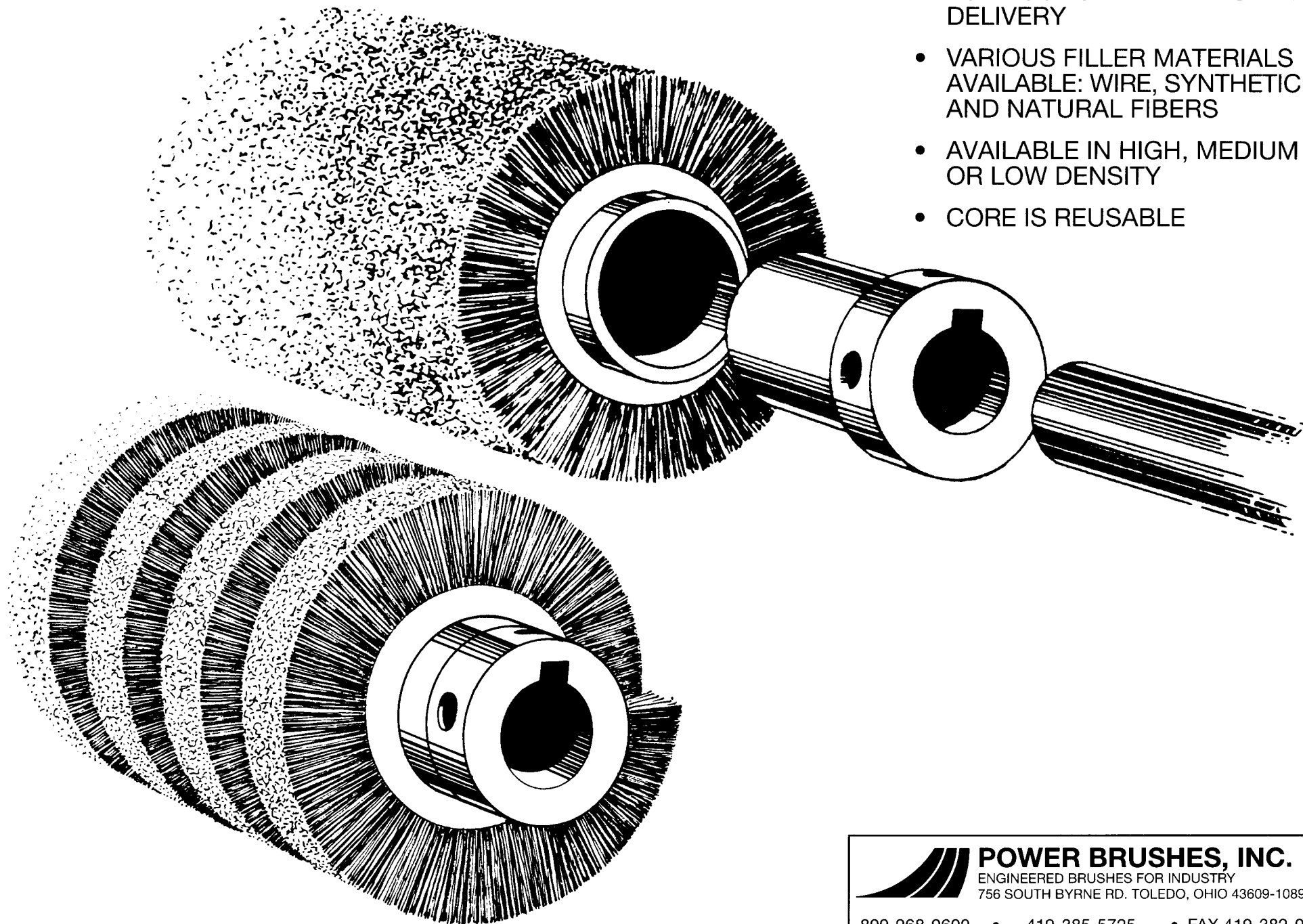


SERIES #2125 COIL BRUSH



- STOCK STEEL COMPONENTS FOR ECONOMY AND PROMPT DELIVERY
- VARIOUS FILLER MATERIALS AVAILABLE: WIRE, SYNTHETIC AND NATURAL FIBERS
- AVAILABLE IN HIGH, MEDIUM OR LOW DENSITY
- CORE IS REUSABLE



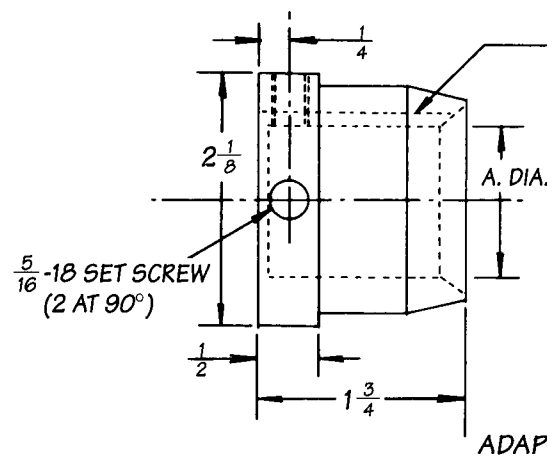
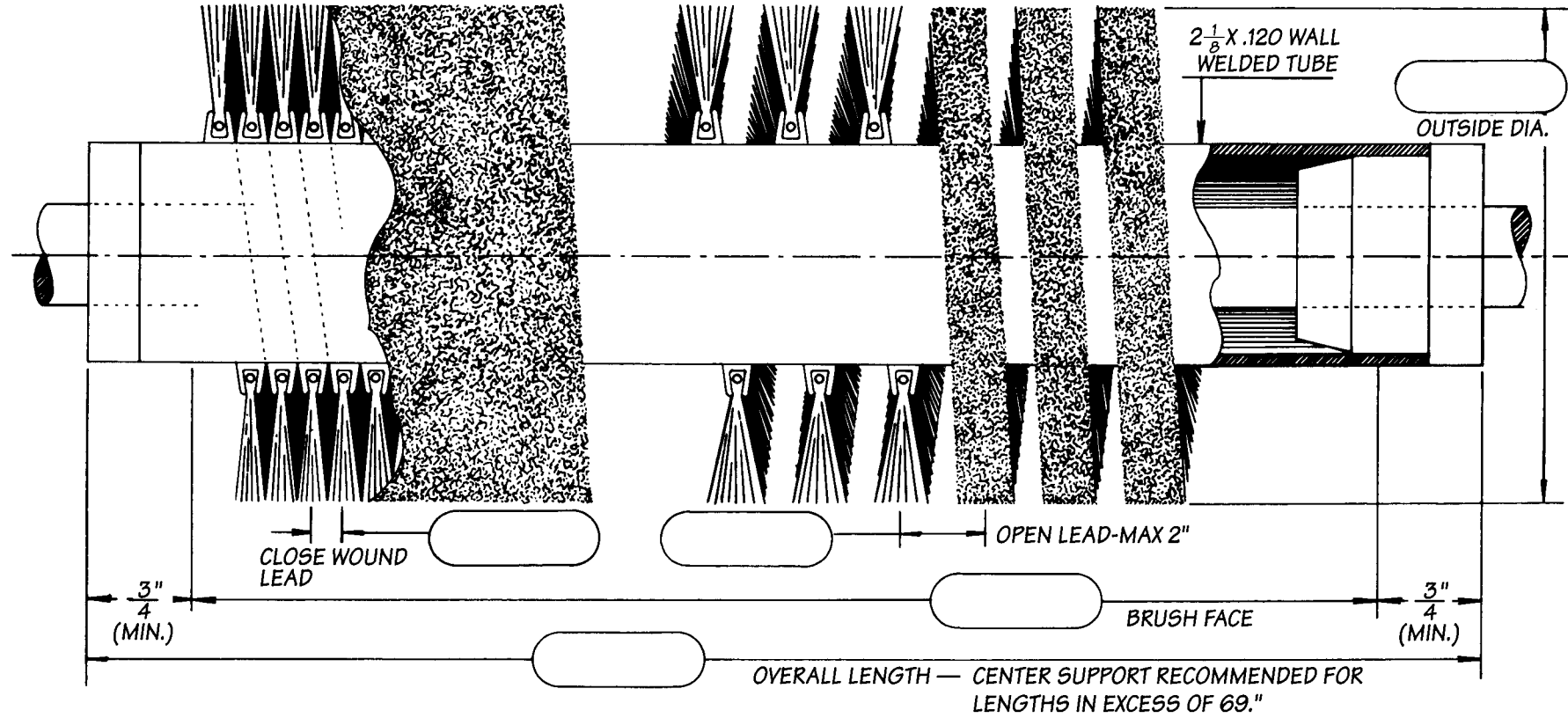
**POWER BRUSHES, INC.**

ENGINEERED BRUSHES FOR INDUSTRY  
756 SOUTH BYRNE RD. TOLEDO, OHIO 43609-1089

800-968-9600 • 419-385-5725 • FAX 419-382-0756  
e-mail: [sales@powerbrushes.com](mailto:sales@powerbrushes.com) [www.powerbrushes.com](http://www.powerbrushes.com)

**SERIES #2125 COIL BRUSH**

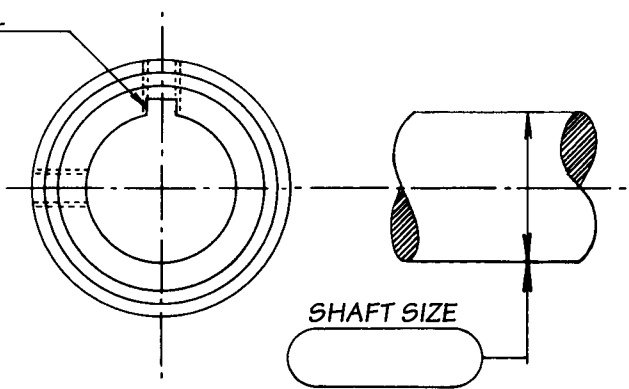
RIGHT HAND HELIX SHOWN - LEFT HAND OPTIONAL



STD. KEYWAY OPTIONAL

DASH NO.	A DIA.
-1	1.008
-2	1.258

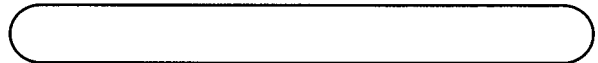
OTHER BORE SIZES AVAILABLE



SHAFT SIZE

KEYWAY SIZE (OPTIONAL)

BRUSH FILLER MATERIAL



800-968-9600  
 FAX 419-382-0756  
 www.powerbrushes.com

**POWER BRUSHES, INC.**  
 ENGINEERED BRUSHES FOR INDUSTRY  
 756 SOUTH BYRNE RD. TOLEDO, OHIO 43609-1089