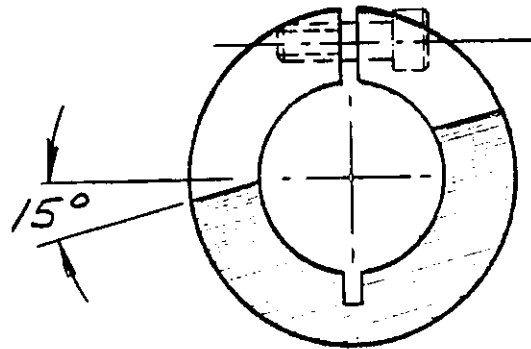
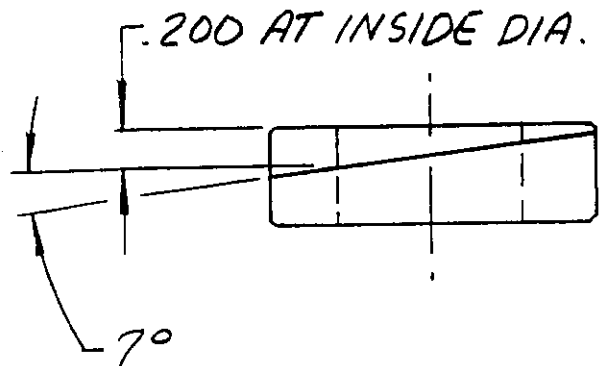
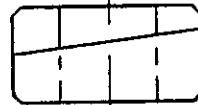
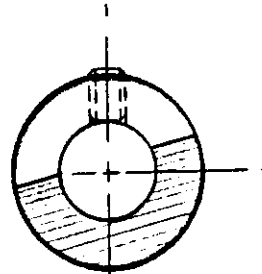


LOCKING COLLAR

SPLIT
CLAMPING
COLLAR
STYLE "A"




SETSCREW
COLLAR
STYLE "B"



PART NO.	COLLAR I.D.	STYLE
#0605	1/2"	B
#0606	5/8"	B
#0610	1"	A
#0611	1 1/8"	A
#0613	1 1/4"	A
#0618D*	1 3/4"	A

* #0618 IN DELRIN

 POWER BRUSHES, INC. ENGINEERED BRUSHES FOR INDUSTRY 756 SOUTH BYRNE RD. TOLEDO, OHIO 43609-1089 (419) 385-5725 FAX: (419) 382-0756	DATE: 9-28-94	MATERIAL: <input checked="" type="checkbox"/> STEEL <input type="checkbox"/> STAINLESS <input type="checkbox"/> OTHER
	CUSTOMER CONTACT:	
COLLAR TO SECURE BRUSH TO SHAFT		
CUSTOMER:	CUSTOMER OR P.B.I. PART NO.:	